

MWPS-72046

36' Frame Utility Building

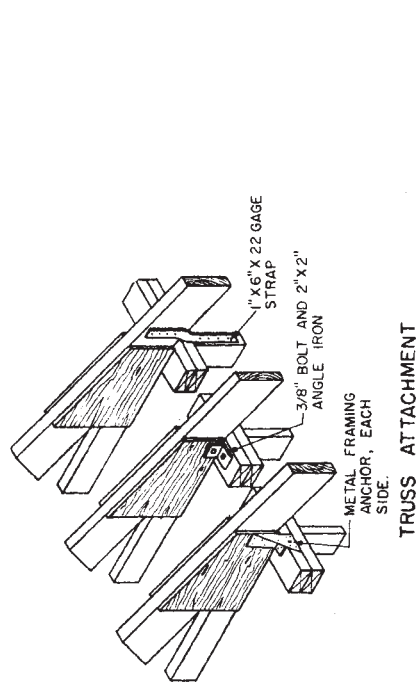
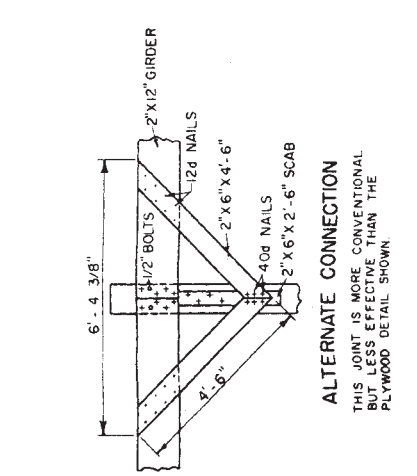
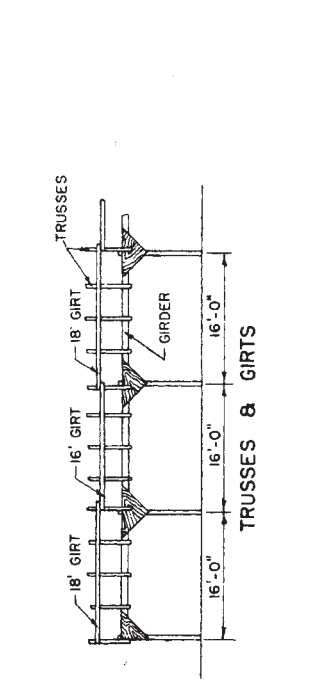
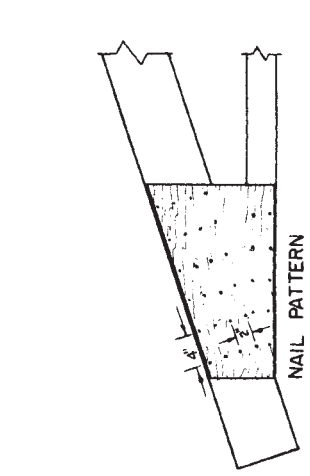
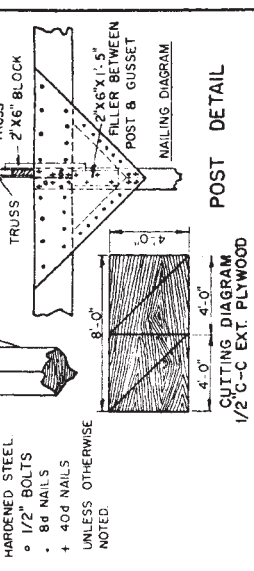
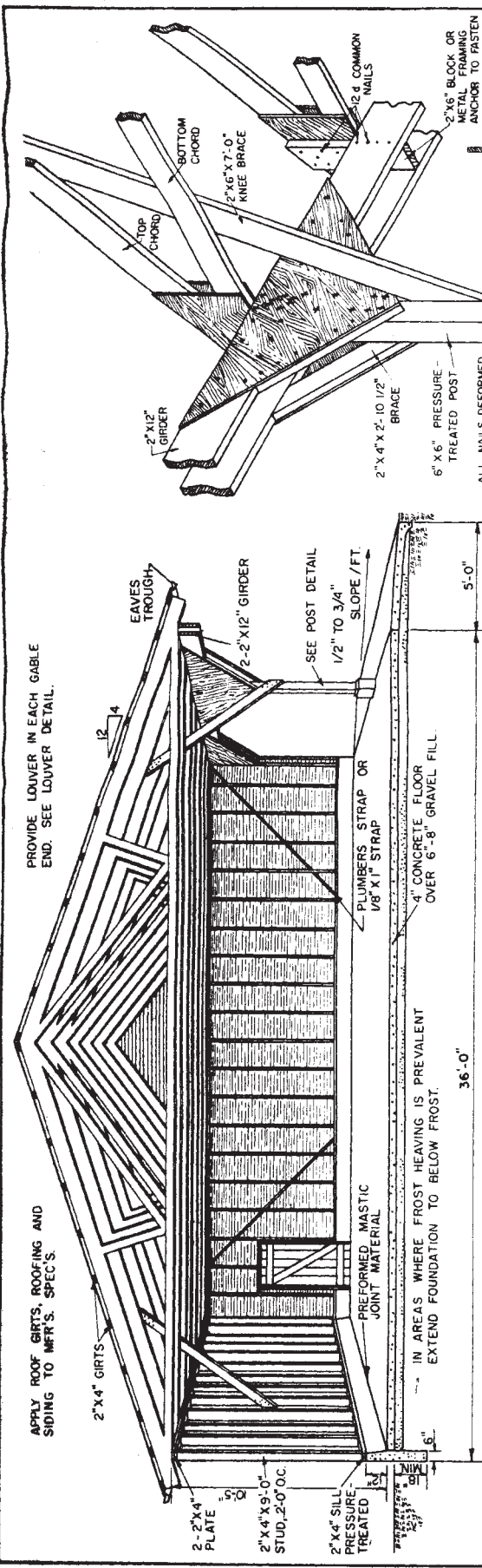
CAUTION!

Additional professional services will be required to tailor this plan to your situation, including but not limited to: assurance of compliance with codes and regulations; review of specifications for materials and equipment; supervision of site selection, bid letting and construction; and provision for utilities, waste management, roads or other access. **Furthermore, any deviation from the given specifications may result in structural failure, property damage, and personal injury including loss of life.**

WARRANTY DISCLAIMER

This plan provides conceptual information only. **Neither midwest plan service nor any of the cooperating land-grant universities, or their respective agents or employees, have made, and do not hereby make, any representation, warranty or covenant with respect to the specifications in this plan.** Additional professional services will be required to tailor this plan to your situation, including but not limited to: assurance of compliance with codes and regulations; review of specifications for materials and equipment; supervision of site selection, bid letting and construction; and provision for utilities, waste management, roads or other access.

| |
|---|
| MIDWEST PLAN SERVICE |
| Cooperative Extension Work in Agriculture and Home Economics and Agricultural Experiment Stations of North Central Region - USDA Cooperating |
| 36' Frame Utility Building |
| Title Page |
| MIDWEST PLAN NO. 72046 |



MIDWEST PLAN SERVICE
 Cooperative Extension Work in
 Agriculture and Home Economics
 at the Agricultural Experiment Stations
 of the North Central Region - USDA Cooperating

36' FRAME
 UTILITY BUILDING

MIDWEST PLAN NO. 72046
 Sheet 2 of 4 Sheets

Copyright © 1964 Midwest Plan Service